

New Inline One-Piece, Multi-Port Manifolds.

Now Available for S05 1/2" & S1F 1" Polypropylene Line.



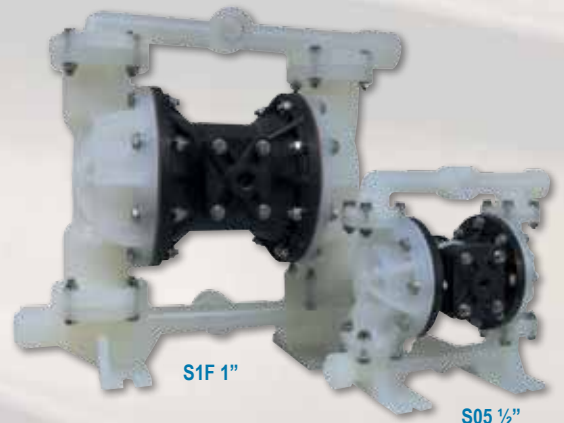
One-Piece, Multi-Port Manifolds

180° Manifold Connection Rotation

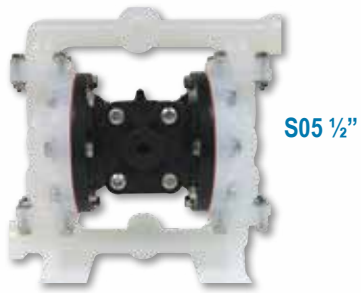
Features & Benefits:

- One-Piece inline manifolds with movable plugs
- Multi-Port connection options (center & side)
- Corrosion resistant Polypropylene feet
- Dimensional drop-in for 1/2" & 1" ARO® units (footprint)
- Same footprint as current Warren Rupp® S05 unit
- 50% Fewer potential leak points
- Faster assembly and disassembly
- Simple installation into Warren Rupp or competitive 1/2" & 1" pump accounts / OEMs

The SANDPIPER® philosophy of "More Ways than One" continues with the latest S05 and S1F product line enhancements. We have extended our product offering to include the new one-piece, multi-port manifolds for the S05 1/2" and S1F 1" polypropylene line. This product line addition enhances and extends SANDPIPER'S already extensive line of S05 and S1F standard duty non-metallic ball valve pumps.



Standard Duty Ball Non-Metallic Polypropylene 1/2" Pump with One Piece Manifold - S05



S05 1/2"

SANDPIPER® is pleased to offer our new inline, one-piece, multi-port manifold for the S05 1/2" polypropylene line.

Features & Benefits:

- One-Piece inline manifolds with movable plugs
- Multi-Port connection options (center and side)
- Corrosion resistant Polypropylene feet vs. 316SS brackets used on 3 piece design
- Dimensional drop-in for 1/2" ARO® units (footprint)
- Same footprint as current Warren Rupp® S05 standard pump
- 50% Fewer potential leak points
- Faster assembly and disassembly
- Simple installation into Warren Rupp or competitive 1/2" pump accounts / OEMs

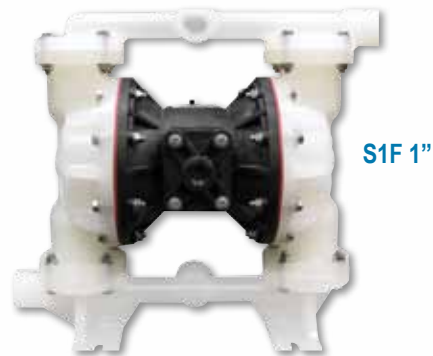
Applications:

- Chemical Dispensing
- OEM systems manufacturing

Models:

- S05B2PUTPNI000
- S05B2P1TPNI000
- S05B2PBTPNI000
- S05B2P2TPNI000
- S05B2PZTPNI000

Standard Duty Ball Non-Metallic Polypropylene 1" Pump with One Piece Manifold - S1F



S1F 1"

SANDPIPER is pleased to offer our new inline, one-piece, multi-port manifold for the S1F 1" polypropylene line.

Features & Benefits:

- One-Piece inline manifolds with movable plugs
- Multi-Port connection options (center and side)
- Inline option is NPT vs. flanged
- Dimensional drop-in for 1" ARO® units (footprint)
- Porting dimensions equal to standard S1F standard pump (center port center line)
- 50% Fewer potential leak points
- Faster assembly and disassembly
- Simple installation into Warren Rupp or competitive 1" pump accounts / OEMs

Applications:

- Chemical Dispensing
- OEM systems manufacturing

Models:

- S1FB3P1PPNI000
- S1FB3PBPPNI000
- S1FB3PNPPNI000
- S1FB3PVPPNI000
- S1FB3PGPPNI000
- S1FB3P2PPNI000
- S1FB3PZPPNI000

Note: The new inline option is available in polypropylene only. Our standard S05 and S1F non-metallic designs are still available. If you would like the dual or vertical ported models, please order the original three piece manifold pump. There will be an adder for the original three piece manifold design. Please refer to the price book or contact your Regional Sales Manager for more details.

ARO® is a registered trademark of Ingersoll-Rand Company.



PH: 419.524.8388 • Fax: 419.522.7867 • www.sandpiperpumps.com

Warren Rupp, IDEX AODD, Inc., A Unit of IDEX Corp. • 800 N. Main St. • P.O. Box 1568 • Mansfield, OH 44901 USA

Product Release #:19

Issued 5/10

Warren Rupp is pleased to announce the latest product release:

Standard Duty Ball Non-Metallic Polypropylene ½” Pump with One Piece Manifold (S05)

Availability Date: June 1, 2010

Features:

(Compared to Standard S05 Non-Metallic Design)

- One-Piece inline manifolds w/ movable plugs
- Multi-Port connection options (center and side)
- Corrosion resistant Polypropylene feet
- Dimensional drop- in for ½” ARO® units (Foot print)
- Same footprint as current Warren Rupp S05 standard pump

Benefits:

- 50% Fewer potential leak points
- Faster assembly and disassembly
- Simple installation into Warren Rupp or competitive ½” pump accounts / OEMs

Applications:

- Chemical dispensing
- OEM systems manufacturing

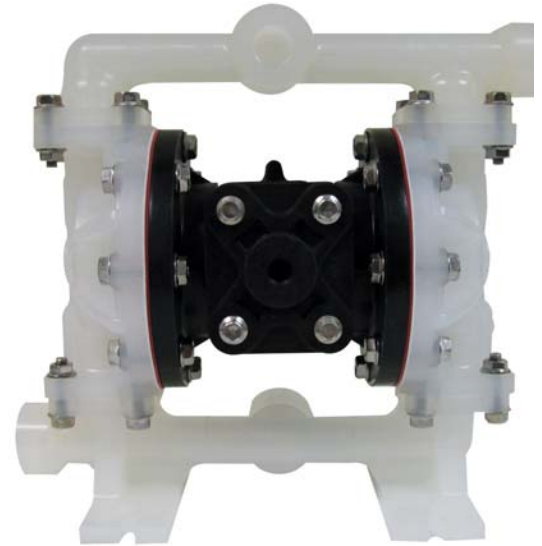
Model Number(s) and Description:

Model	Wetted	Diaph	Check Valve	Non-Wetted	Wt. #	Suggested List Price	Wet End Kit	Suggested List Price
S05B2PUTPNI000.	PP	PU	PU	PP	16	\$571	476.202.357	\$85.46
S05B2P1TPNI000.	PP	S	S	PP	16	\$571	476.202.354	\$63.76
S05B2PBTPNI000.	PP	B	B	PP	16	\$571	476.202.360	\$90.88
S05B2P2TPNI000.	PP	S-T	T	PP	16	\$748	476.202.654	\$97.26
S05B2PZTPNI000.	PP	OP	T	PP	16	\$770	476.202.659	\$361.59

Special Notes:

Our standard S05 Non-Metallic Designs are still available. Please refer to the price book for full details. The new inline option is available in polypropylene only. If other materials are required please use the standard S05 model configurations. The price adder for the current three piece manifolds will go into effect on 6/1/10. Orders received on or after 6/1/10 for the original pump will incur the up change. Due to high demand of this product, lead times may be slightly longer than standard. Please check your order confirmation or contact the factory for delivery details.

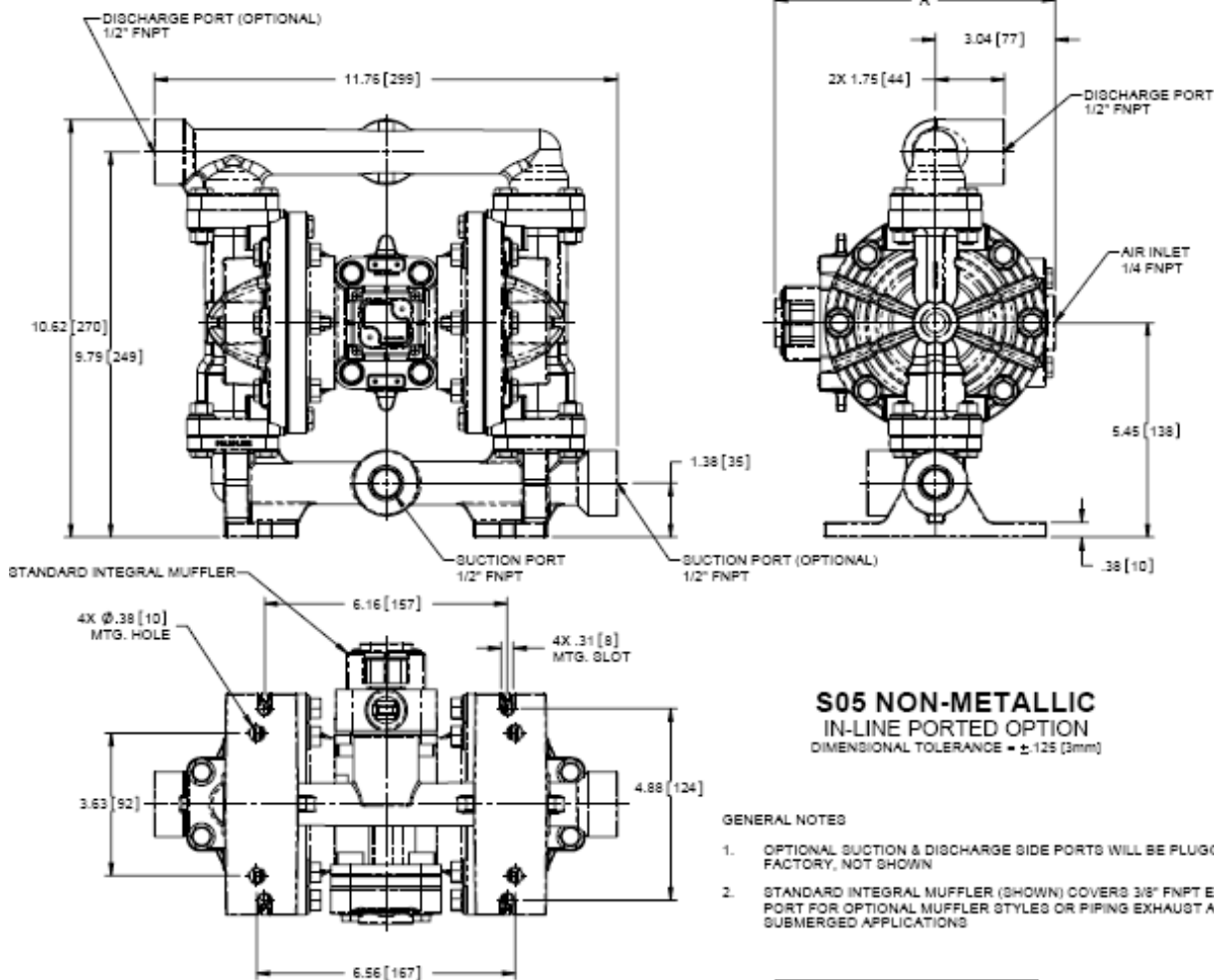
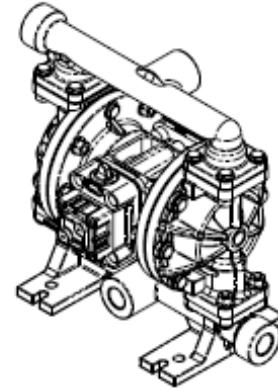
ARO® is a registered tradename of Ingersoll-Rand Company.



Dimensions: S05 Non-Metallic Inline Ported Option - Polypropylene Wet End Models ONLY

Dimensions in inches

Dimensions in millimeters (metric dimensions in brackets)



	Standard Integral Muffler Option	Mesh & Sound Dampening Muffler Option
A	7.13 [181]	8.81 [224]

Product Release #:20

Warren Rupp is pleased to announce the latest product release:

**Standard Duty Ball Non-Metallic Polypropylene 1" Pump
with One Piece Manifold (S1F)**

Availability Date: June 1, 2010

Features:

(Compared to Standard S1F Non-Metallic Design)

- One-Piece inline manifolds w/ movable plugs
- Multi-Port connection options (center and side)
- Corrosion resistant Polypropylene feet
- Dimensional drop- in for 1" ARO® units (Foot print)
- Porting dimensions equal to standard S1F pump (center port center line)



Benefits:

- 50% Fewer potential leak points
- Faster assembly and disassembly
- Simple installation into Warren Rupp or competitive 1" pump accounts / OEMs

Applications:

- Chemical dispensing
- OEM systems manufacturing

Model Number(s) and Description:

Model	Wetted	Diaph	Check Valve	Non-Wetted	Wt. #	Suggested List Price	Wet End Kit	Suggested List Price
S1FB3P1PPNI000.	PP	S	S	PP	53	\$1,031	476.197.354	\$108.51
S1FB3PBPPNI000.	PP	B	B	PP	53	\$1,031	476.197.360	\$176.07
S1FB3PNPPNI000.	PP	N	N	PP	53	\$1,031	476.197.365	\$176.38
S1FB3PVPPNI000.	PP	V	V	PP	53	\$1,243	476.197.363	\$645.56
S1FB3PGPPNI000.	PP	N-T	T	PP	53	\$1,284	476.197.635	\$378.20
S1FB3P2PPNI000.	PP	S-T	T	PP	53	\$1,284	476.197.654	\$385.19
S1FB3PZPPNI000.	PP	OP	T	PP	53	\$1,447	476.197.659	\$678.27

Special Notes:

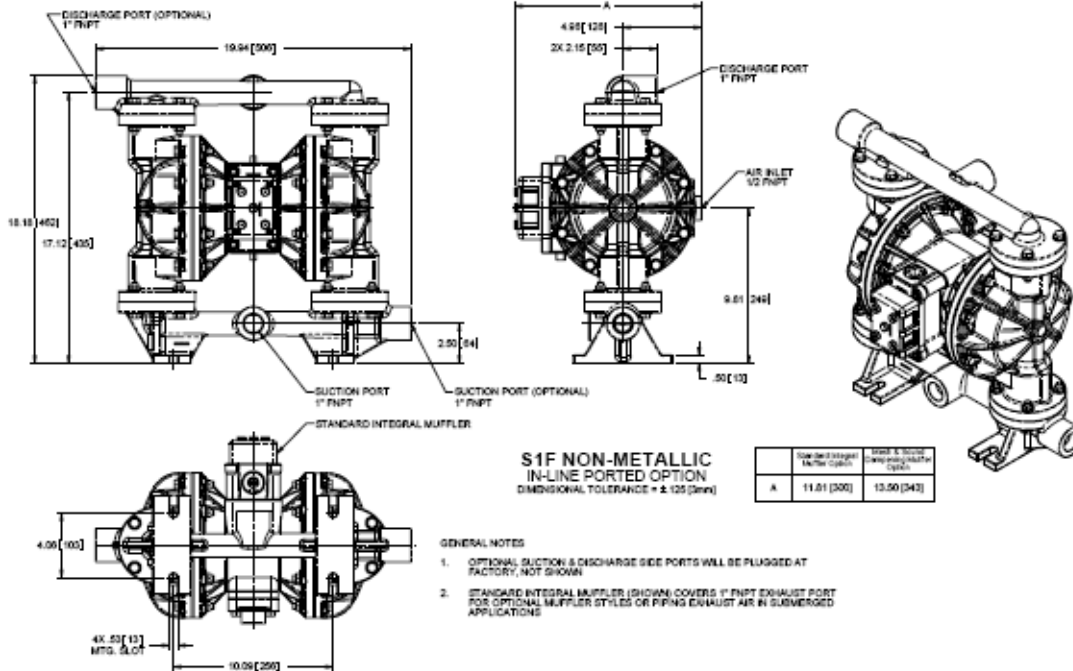
Our standard S1F Non-Metallic Designs are still available. Please refer to the price book for full details. The new inline option is available in polypropylene only. If other materials are required please use the standard S1F model configurations. The price adder for the current three piece manifolds will go into effect on 6/1/10. Orders received on or after 6/1/10 for the original pump will incur the up change. Due to high demand of this product, lead times may be slightly longer than standard. Please check your order confirmation or contact the factory for delivery details.

ARO® is a registered trademark of Ingersoll-Rand Company.

Product Announcement

Dimensions: S1F Non-Metallic Inline Ported Option - Polypropylene Wet End Models ONLY

Dimensions in inches
Dimensions in millimeters (metric dimensions in brackets)



Metric Dimensions: S1F Non-Metallic Side Ported Options

Dimensions in inches
Dimensions in millimeters (metric dimensions in brackets)

